

General Specifications

Mechanical

Material:	Stainless Steel (304)
Mounting:	VESA 75 mount
Dimensions (mm):	See last page, on 2M high stainless steel pedestal
Weight (g):	17Kg

Suitable For

- 12.1" Rugged Industrial Client Computer
- 17" Rugged Industrial Client Computer
- 22" Rugged Industrial Client Computer
- 12.1" Rugged Industrial Display
- 17" Rugged Industrial Display
- 22" Rugged Industrial Display
- 96 Key Rugged Industrial Keyboard with Trackerball
- 96 Key Rugged Industrial Keyboard with Touchpad
- 128 Key Rugged Industrial Keyboard with Trackerball
- 128 Key Rugged Industrial Keyboard with Touchpad

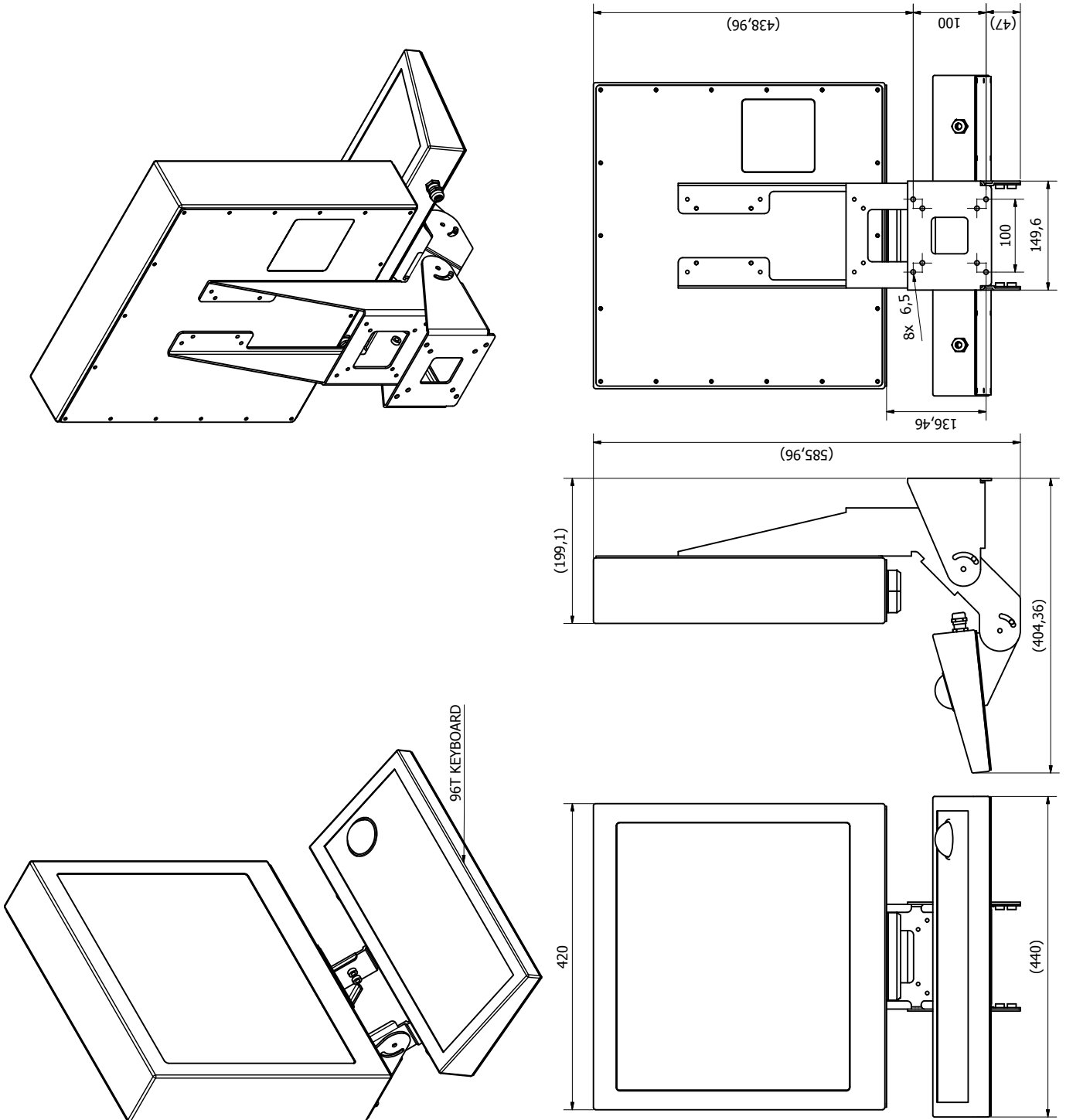
Description

The Work station assembly has been designed to be used in industrial environments. The tough stainless steel finish makes it ideal for harsh applications and suitable for wash down areas. It allows for our standard stainless steel ClientPC, ThinClient or SlimMonitors to be assembled together with either a stainless steel 96T, 96P, 128T or 128P keyboard to either a sturdy wall or our own stainless steel floor mount pedestal.



Dimensions

S17 Workstation with 96T Keyboard



Dimensions

Pedestal

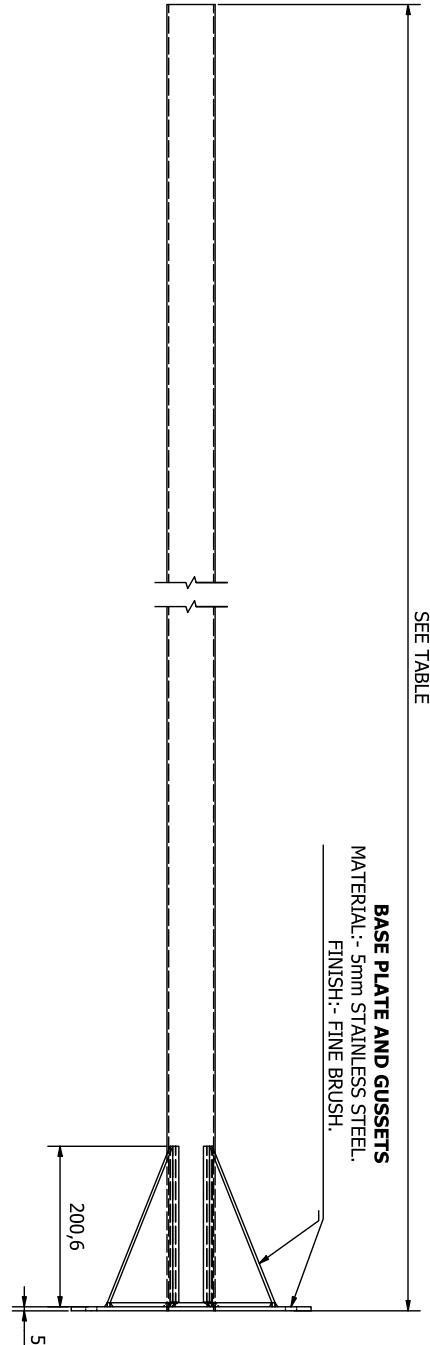
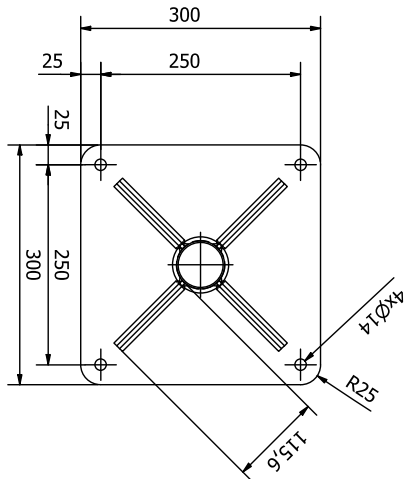


TABLE				
PART NUMBER	LENGTH	MATERIAL	FINISH	COLOUR
PEDC_60_100_SB0	100cm	60.3x2 S/S 304 TUBE	FINE BRUSH	NATURAL
PEDC_60_150_SB0	150cm	60.3x2 S/S 304 TUBE	FINE BRUSH	NATURAL