

## General Specifications

### Mechanical

Material:	Stainless Steel (304) Case / Bezel Wear & Chemical resistant Polyester overlay
Mounting:	Cased, Bezel, Rear or Flush mount
Dimensions (mm):	124 (W) x 245 (H) x 60 (D) cased
Weight (g):	1.3Kg cased, 0.8Kg uncased
Keys:	Sealed mechanical
Key Travel:	0.4mm
Life Expectancy:	>1 million switch cycles
Operating Force:	160gf ± 50gf
Ball Material:	Phenolic Resin
Ball Colour:	Black
Ball Size:	50mm (2")
Resolution:	200 pulses/ball revolution
Tracking Force:	<50gms (nominal)
Ball Revolutions:	>6 million

### Environmental

Operating Temp.:	-20°C to +60°C
Storage Temp.:	-40°C to +85°C
Relative Humidity:	95% non-condensing
Seal:	IP65
Vibration:	5G, 5-2KHz any plane

### Electrical and Electronic

Supply Voltage:	5V DC ± 5%
Supply Current:	<12mA (PS2 / RS232) <20mA (USB / PS2)
Interface:	USB on 2 metre cable

### General

MTBF:	60,000 hours
MTTR:	20 minutes
Warranty:	3 year standard return to base Extendable to 5 years if required

## Options and Customisation

### Options

Interface:	USB / PS2 / AT / RS232 / RS422 / RS485 / XT/ TTL / DEC / SUN
Mechanics:	Stainless steel case or bezel

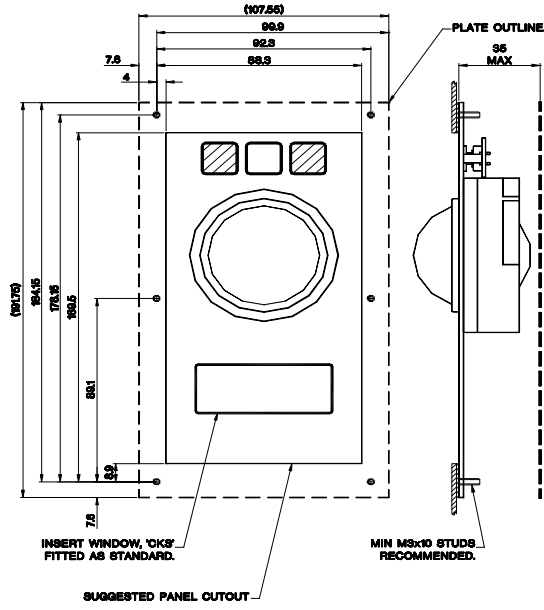
### Customisation

Colour:	Full customisation of case colour and Logos available
Trackerball:	Various colours and stainless steel
Coding:	Key operations can be customised to fit software needs
Dimensions:	Physical dimensions can be customised

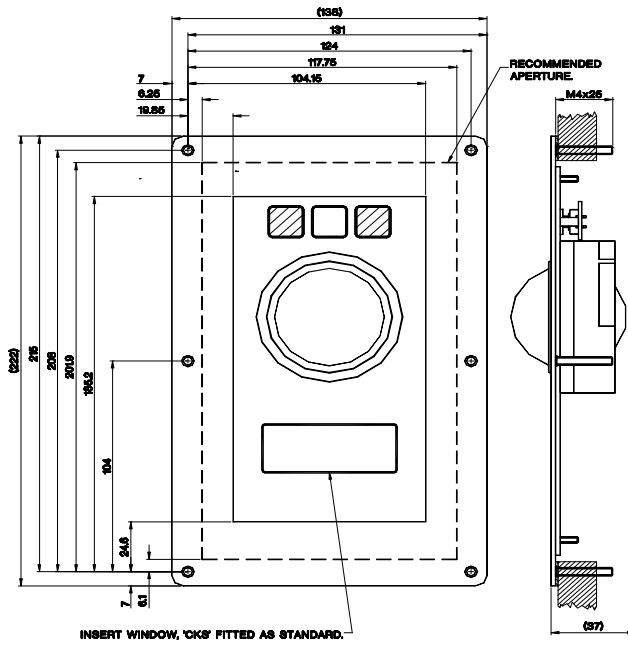


# Dimensions

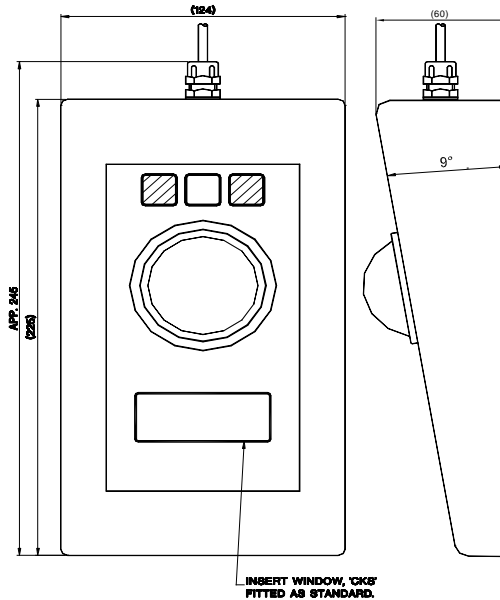
## REAR MOUNT



## BEZEL MOUNT



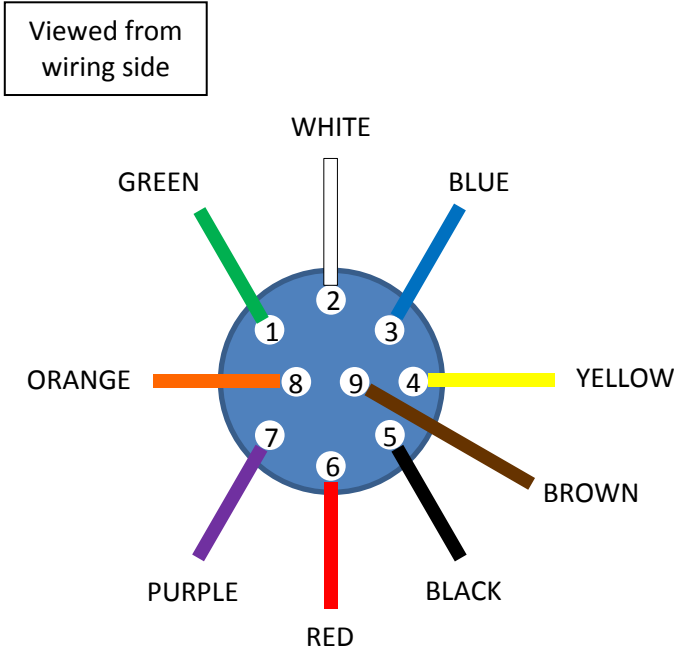
## CASED



# BULGIN COM Connector Details

Detailed below is the wiring assembly for the BULGIN plug for connection to a SOCKET COM port.

Recommended wire gauge 24AWG.



Pin	Colour	RS232	RS422	RS485
1	Green	DCD	TX-	RTX-
2	White	RXD	RX+	
3	Blue	TXD	TX+	RTX+
4	Yellow	DTR	RX-	
5	Black	GND	GND	GND
6	Red	+5VDC	+5VDC	+5VDC
7	Purple (Violet)	RTS		
8	Orange	CTS		
9	Brown	DSR		